



M360 R

GENERAL TECHNICAL CHARACTERISTICS

Structure: enamelled steel, closed firebox with an electronically controlled rise and fall opening of 360° panoramic glass.

Firebox: In Aluke®

Hood: in steel, painted black or white

Fire pit: In Aluke®

Edge trim: choice of conical or cylindrical, black or white

Opening: with an electronically controlled rise and fall opening

Primary air: fixed

Secondary air: fixed

Flue outlet: top

Flue damper: valve with manually adjustable, and removable handle Ash pan: removable

Fuel: wood

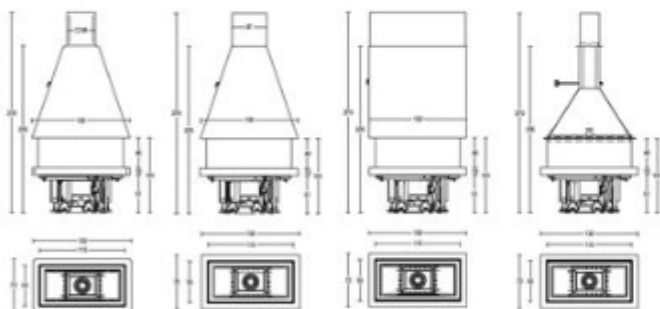
Heating: natural convection and radiant



HOOD COLOURS



TECHNICAL DRAWING



TECHNICAL DATA

Nominal thermal efficiency	%	75,7
Rated heat output	kW	16,4
Consumption at rated heat output	kg/h	4,8
Maximum heat output	kW	21,6
Maximum consumption	kg/h	4,8
Flue outlet	Ø cm	25
Fresh air intake (recomm. m in sect.)	cm ²	300
Basement Weight	kg	125
Case Weight	kg	60 ->120
Electric power Rise n'fall	V	230 - 50Hz

Rise and fall opening electronically motorized.

Laboratory data using beech wood with less than 20% moisture content. Consumptions may vary according to the type of wood used



The availability of models may vary from Country to Country.

Full technical data available in pdf

Compatible Cover